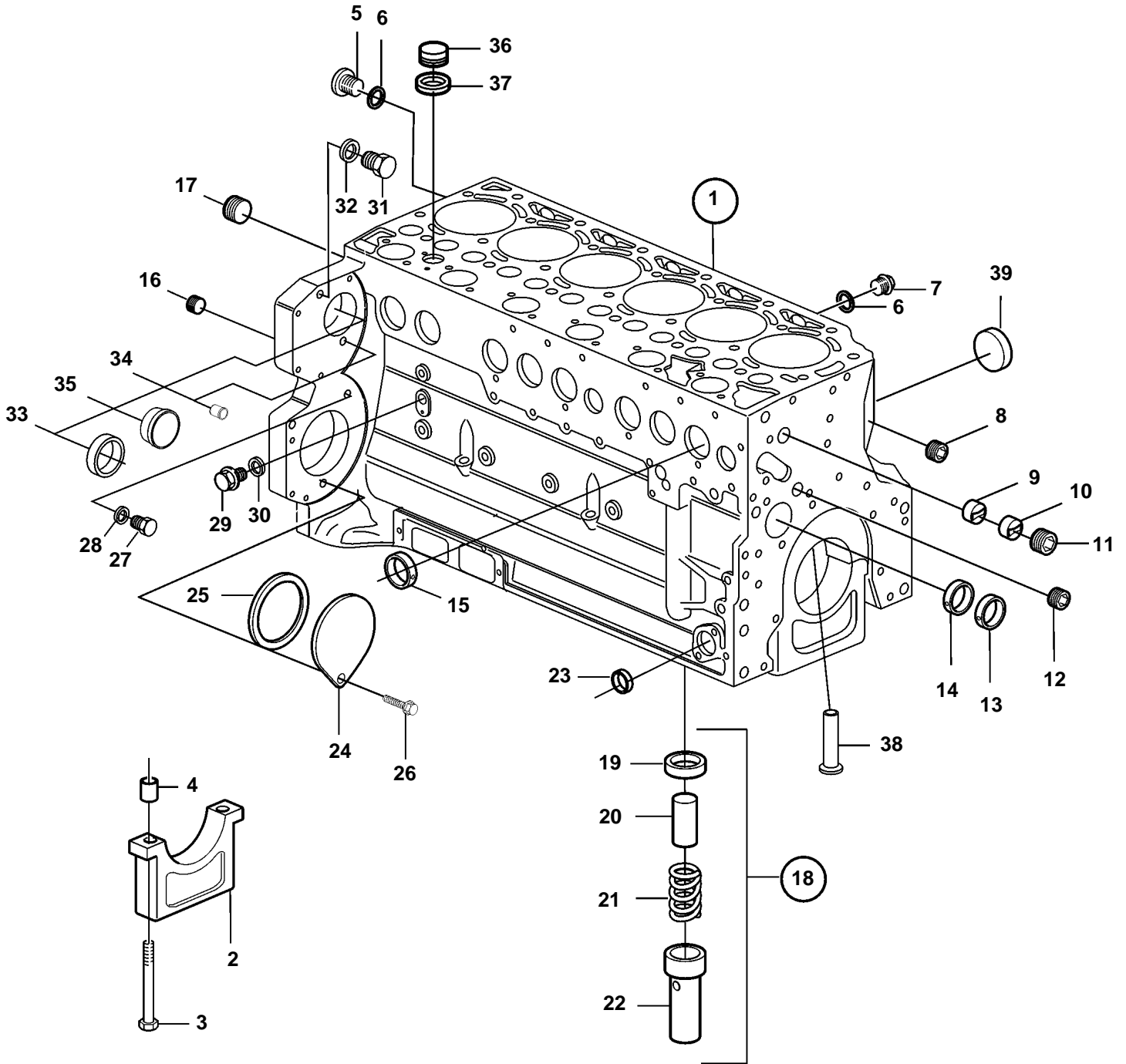


D7A-A T, D7A-A TA



19542

D7A-A T, D7A-A TA

| REF | PART NO. | QTY | DESCRIPTION | NOTES |
|-----|----------|-----|-------------------------|------------------------|
| 1 | 20537914 | 1 | Cylinder block | |
| 2 | | 7 | · Main bearing cap | |
| 3 | 20405583 | 14 | · Screw | |
| 4 | 11700278 | 14 | · Bushing | |
| 5 | 945065 | 2 | · Plug | |
| 6 | 969011 | 4 | · Gasket | |
| 7 | 20405716 | 1 | · Plug | |
| 8 | 20508600 | 1 | · Plug | |
| 9 | 20405906 | 1 | · Guide sleeve | |
| 10 | 20405584 | 1 | · Guide sleeve | |
| 11 | 20508585 | 1 | · Plug | |
| 12 | 20508590 | 10 | · Plug | |
| 13 | 11700284 | 6 | · Bearing bushing | |
| 14 | 11700285 | 1 | · Bearing bushing | |
| 15 | 20405721 | 10 | · Plug | |
| 16 | 20405718 | 1 | · Plug | |
| 17 | 20405722 | 1 | · Plug | |
| 18 | 11700271 | 1 | Delivery valve | |
| 19 | 20405904 | 1 | · Ring | |
| 20 | 20405936 | 1 | · Valve piston | |
| 21 | 20405896 | 1 | · Compression spring | |
| 22 | 20405937 | 1 | · Sleeve | |
| 23 | 20412745 | 1 | Plug | |
| 24 | 20459898 | 1 | Cover | |
| 25 | 20412359 | 1 | O-ring | |
| 26 | 975108 | 1 | Flange screw | |
| 27 | 20532680 | 1 | Plug, screw plug | |
| 28 | 947281 | 1 | Gasket | |
| 29 | 20405716 | 1 | Plug | |
| 30 | 20459981 | 1 | Sealing ring | |
| 31 | 20532680 | 2 | Plug, screw plug | |
| 32 | 947281 | 2 | Gasket | |
| 33 | 20450778 | 1 | Plug | |
| 34 | 20464561 | 1 | Plug | |
| 35 | 20464563 | 1 | Plug | |
| 36 | 20450779 | 1 | Plug | |
| 37 | 20405728 | 1 | O-ring | Without stop solenoid. |
| 38 | 20460210 | 6 | Oil jet, piston cooling | |
| 39 | 20405986 | 1 | Core plug | |